

# Where Have We Been?



**C-17**



**H-60**



**C-5**



**F-15**



**E-3**



**C-130**



**KC-135**



**747**



**Climate Chamber**  
**140°F**



**CRJ-900**

# Where Are We Going? – Advanced Electric

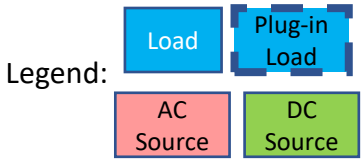
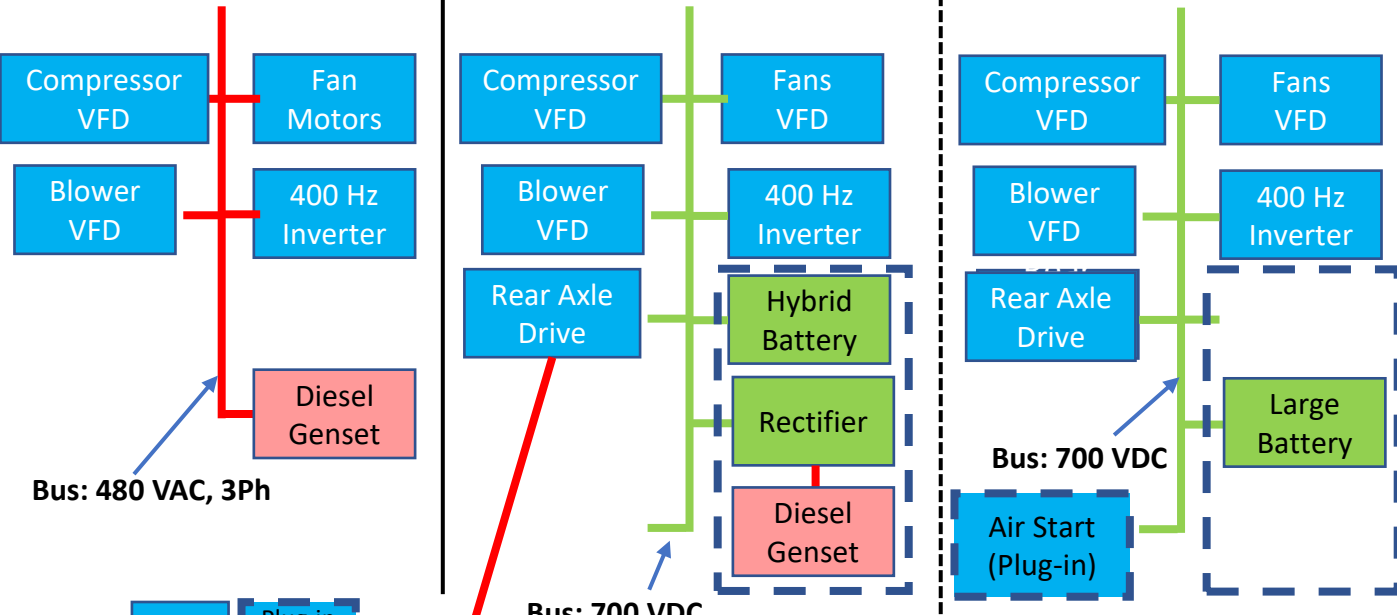
## TODAY

## NEXT GENERATION – DC300HFE

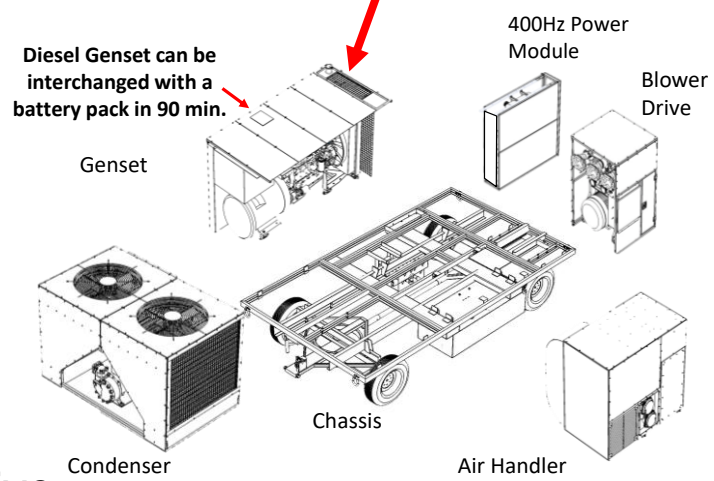
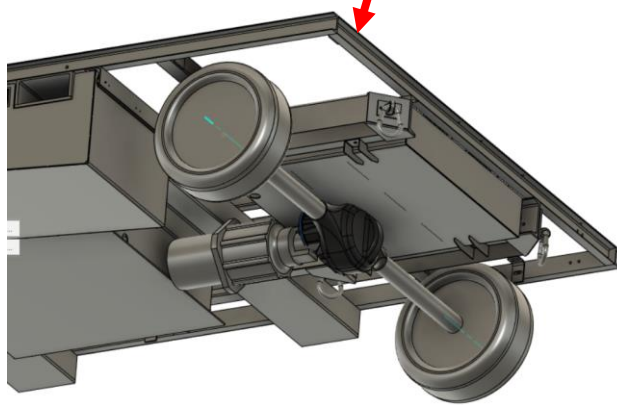
### DC300E

### HYBRID

### FULLY ELECTRIC



**SWAPPABLE**



### Semi-Autonomous Electric Drive

### Module Swap

Allows transport self-load/unload & flight line positioning

**Future High Voltage DC Hybrid and Battery-Only Versions**